



BUNKER SAMPLER™

DESCRIPTION

In accordance with the **IMO** regulations, bunker samplers should be available on board the vessels, to ensure safe fuel sampling during bunkering.

More specifically, **MARPOL's Annex VI/Regulation 18** dictates that a sample of fuel oil should be obtained at the ship's fuel receiving pipe line. The **MARICHEM BUNKER SAMPLER** is approved by the Classification (**BVQI**) and has been manufactured in compliance with the above regulations.

Bunker Samples should be taken at a continuous rate during the entire period of bunkering. When bunkering has been completed, the sample bottle filled with the bunker sample should be sealed with the specific security seal supplied by the bunker supplier in the presence of the ship's representative.

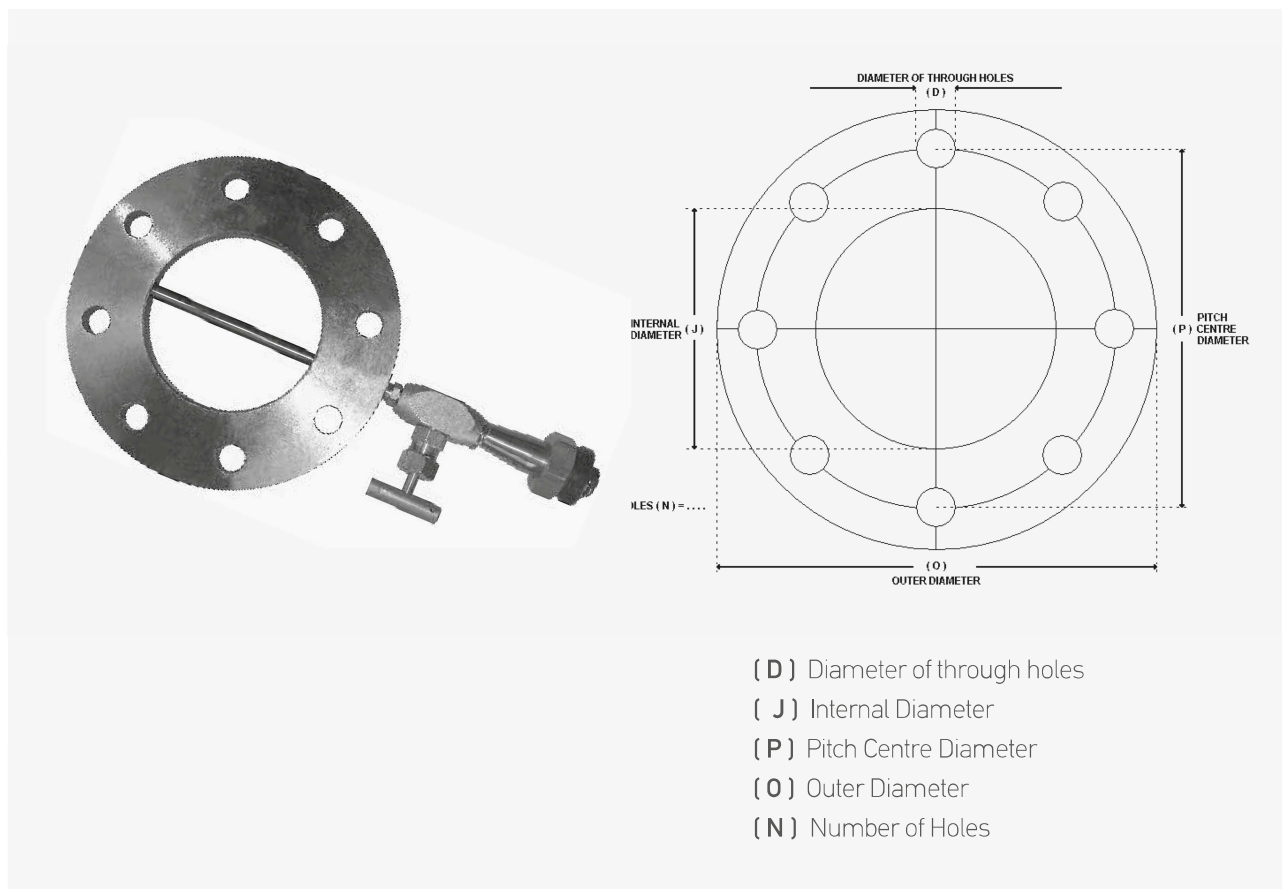
The sample bottle with the bunker sample should be kept under the ship's control until the consumption of the fuel oil, and for a period of at least 12 months from the day of delivery.

ADVANTAGES AND CHARACTERISTICS

- ◆ Bureau Veritas (**BVQI**'s) Type Approval.
- ◆ Applicable for pipes with an inner diameter of 3" to 12".
- ◆ Complete unit includes mounting materials and joint.
- ◆ Complies with **ASTM D 4057** & **PSA** regulations.
- ◆ Light weight.
- ◆ Easy to install and to operate.
- ◆ The actual sampler is a Stainless Steel pipe with small holes.
- ◆ Can be used within the bolt ring of any flange.
- ◆ Cost effective.

SELECTING THE CORRECT SIZE OF MARICHEM BUNKER SAMPLER

When ordering the **MARICHEM BUNKER SAMPLER** the following technical information should be provided by the ship – as it can be seen from the drawing below.



MARICHEM BUNKER SAMPLER SELECTION CHART

The table below gives guidance for selecting the correct **BUNKER SAMPLER** for a range of standard pipe flanges. Marichem Bunker Samplers are manufactured to fit within the bolt ring of standard flange sizes as listed below.

Internal Diameter (mm)	Outer Diameter (mm)	Pitch Center Diameter (mm)	Number of holes	Sampler Size (inches)	Approximate Weight (kgrs)	Product Code
91	200	160	4	3"	4.0	740103
116	220	180	8	4"	4.5	740104
141	250	210	8	5"	5.0	740105
170	285	240	8	6"	5.5	740106
196	315	270	8	7"	6.0	740107
222	340	295	8	8"	6.4	740108
276	395	350	12	10"	7.0	740110

► **REMARK:** For other sizes please contact MARICHEM MARIGASES Worldwide Services.

 **Read the Material Safety Data Sheet before using this product.**

For detailed information on safety and health, please refer to Material Safety Data Sheet and/or Product Label.

MARICHEM MARIGASES Worldwide Services or any subsidiary or associated companies warranties of merchantability and competence, if any, along with any expressed warranties concerning this merchandise, shall not be actionable or pertinent or effective if the good is used contrarily or differently to the directions herein and in no other way due to impending hazards from inappropriate use of the good explained herein. Merchandise might vary insubstantially depending on country of origin. The information provided concerning merchandise is exclusively presented to the customer.